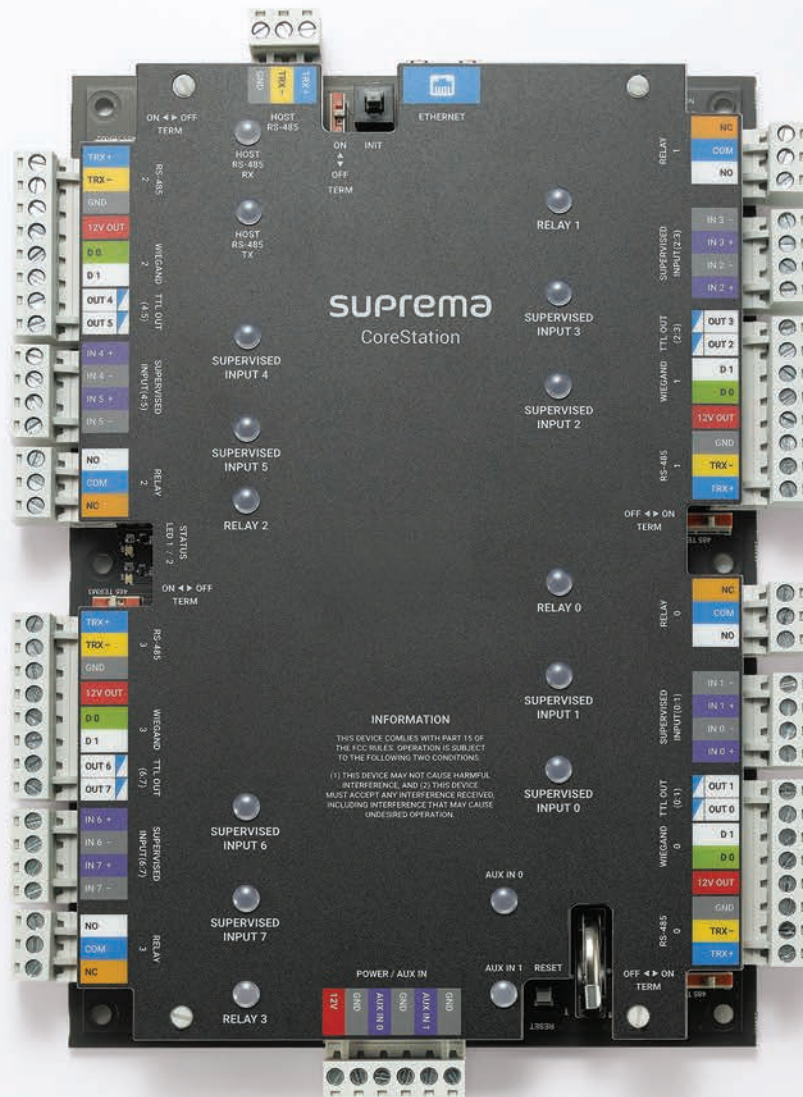


# CoreStation

## INTELLIGENT BIOMETRIC CONTROLLER



## CoreStation

Suprema CoreStation is an intelligent door controller which provides the advantages of a biometric-enabled security over a centralized access control systems. Designed for mid to enterprise-level systems, the CoreStation handles up to 500,000 users with an incredible fingerprint matching speed of upto 400,000 match/sec. With the provisions of high-performance, biometric readiness, Ethernet communication, CoreStation is capable of offering the full features of the BioStar 2 platform. The device provides centralized biometric template management and also interfaces with complete set of reader technologies including RS-485(OSDP) and Wiegand. With its versatility, CoreStation is a perfect access control solution for both new installations as well as a replacement of existing systems.

# CoreStation INTELLIGENT BIOMETRIC CONTROLLER

## Features



### Centralized Biometric Access Control

- Centralized storage of biometric and access group data
- Complete controller functionalities with fingerprint matching
- Multi-port interface for fingerprint/RF readers
  - Supports locks, sensors, RTE, and alarm devices



### Enterprise-level Capacity

- Max 500,000 users (1 million fingerprint templates)
  - 500,000 RF cards / 5,000,000 event logs
- High-speed fingerprint matching
  - Max 400,000 match/sec (genuine matching)



### Improved Security

- No Ethernet connection to the door reader
- No data storage at the door reader
- Secured communication between server and CoreStation (TLS 1.2)



### System Flexibility and Scalability

- Controls up to 132 access points with extension modules (DM-20)
- Elevator Control (OM-120)
- Supports OSDP (Open Supervised Device Protocol)



### Fully Compatible with BioStar 2

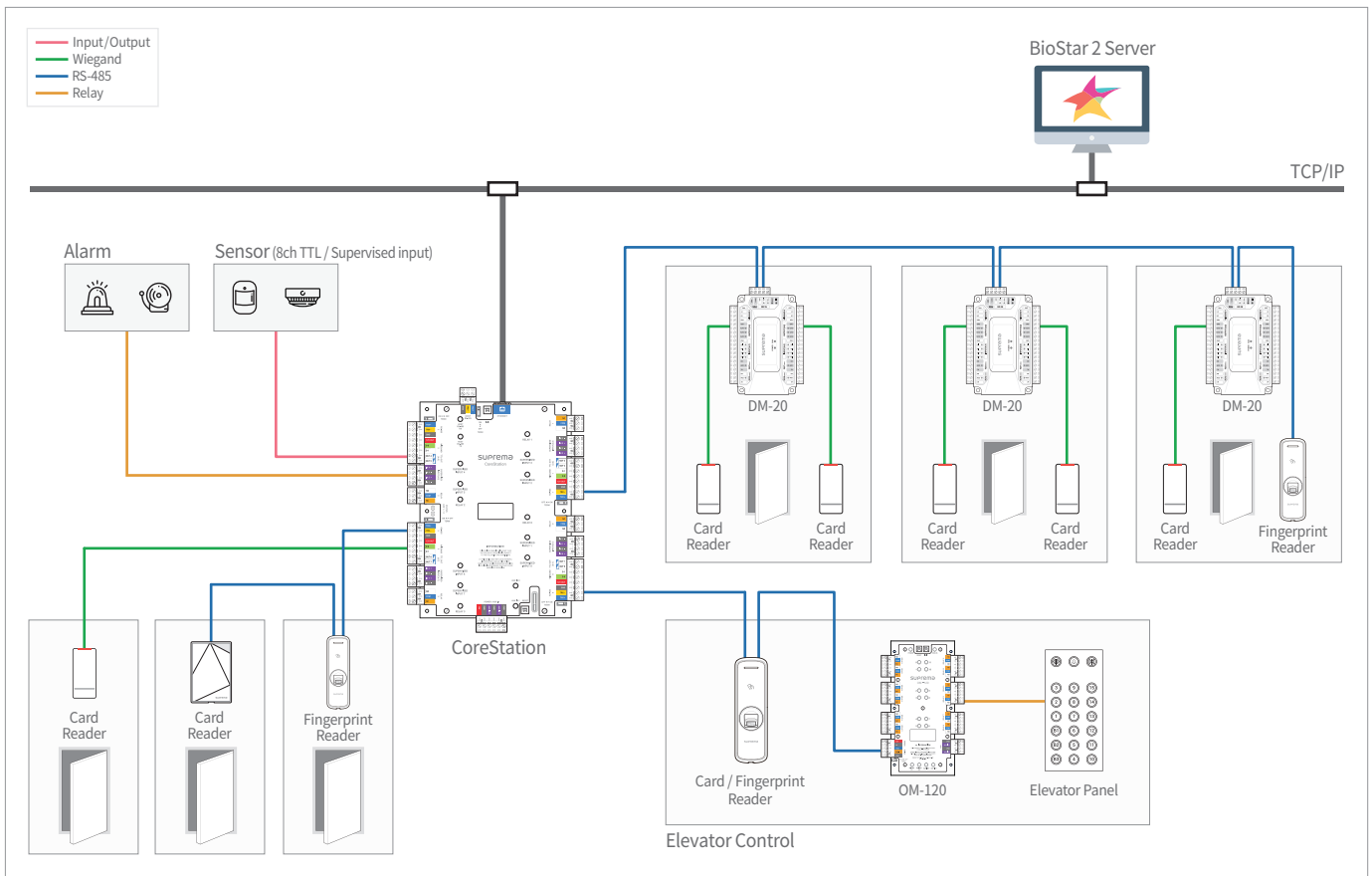
- Easy operation and configuration
- Comprehensive access control and time & attendance functionalities

## Specifications

CPU	1.4 GHz Octa Core
Memory	8GB Flash + 1GB RAM
Max. User	500,000 (1:1), 100,000(1:N)
Max. Template	1,000,000(1:1), 200,000(1:N)*
Max. Logs	5,000,000(text)
Serial Comm. Protocol	OSDP V2
Ethernet	10/100Mbps, auto MDI/MDI-X
RS-485	5ch
Wiegand	4ch input or output (selectable)
Relay	4 relays
TTL Input	8ch (Supervised input selectable)
TTL Output	8ch
AUX Input	2ch (AC Power Fail, Tamper)
Operating Temperature	0°C ~ 50°C
Dimensions (WxHxD,mm)	150 x 214 x 21 mm
Power	DC 12V
Power Output (Reader)	4ch (DC 12V)
Certification	CE, FCC, KC, RoHS, WEEE, REACH

\* Two templates per finger

## System Configurations



**suprema**  
BIOMETRICS & SECURITY

Suprema Inc.

16F Parkview Tower, 248, Jeongjail-ro, Bundang-gu, Seongnam-si, Gyeonggi-do, 13554, Rep. of KOREA  
Tel: +82 31 783 4502 | Fax: +82 31 783 4503 | Inquiry: sales@supremainc.com

©2017 Suprema Inc. Suprema and identifying product names and numbers herein are registered trademarks of Suprema, Inc. All non-Suprema brands and product names are trademarks or registered trademarks of their respective companies. Product appearance, build status and/or specifications are subject to change without notice.  
[AHL-CS40-170928-00-EN]